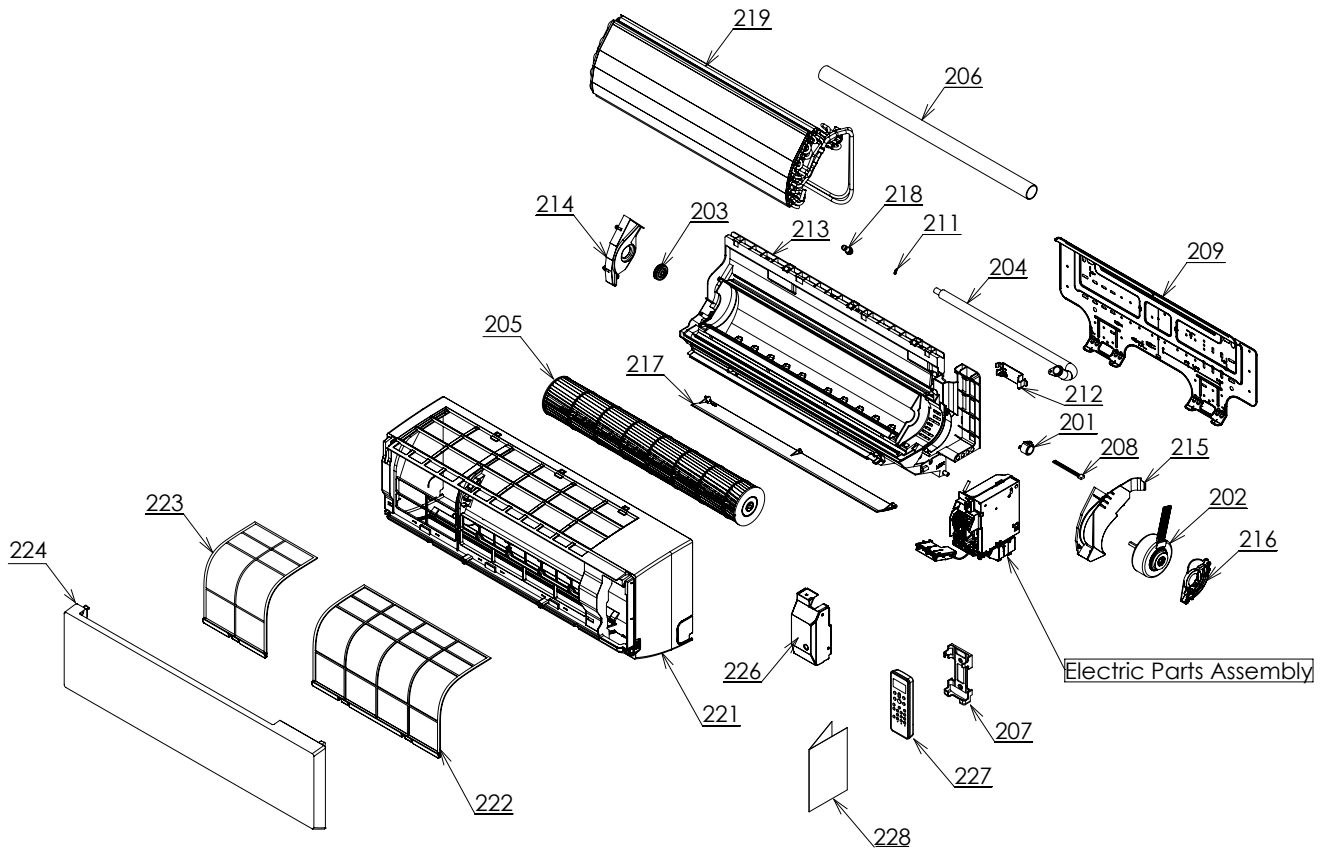


13. EXPLODED VIEWS AND PARTS LIST

High Wall Type

Model: RAV-SM307KRTP-E(TR)(A), RAV-SM407KRTP-E(TR)(A)

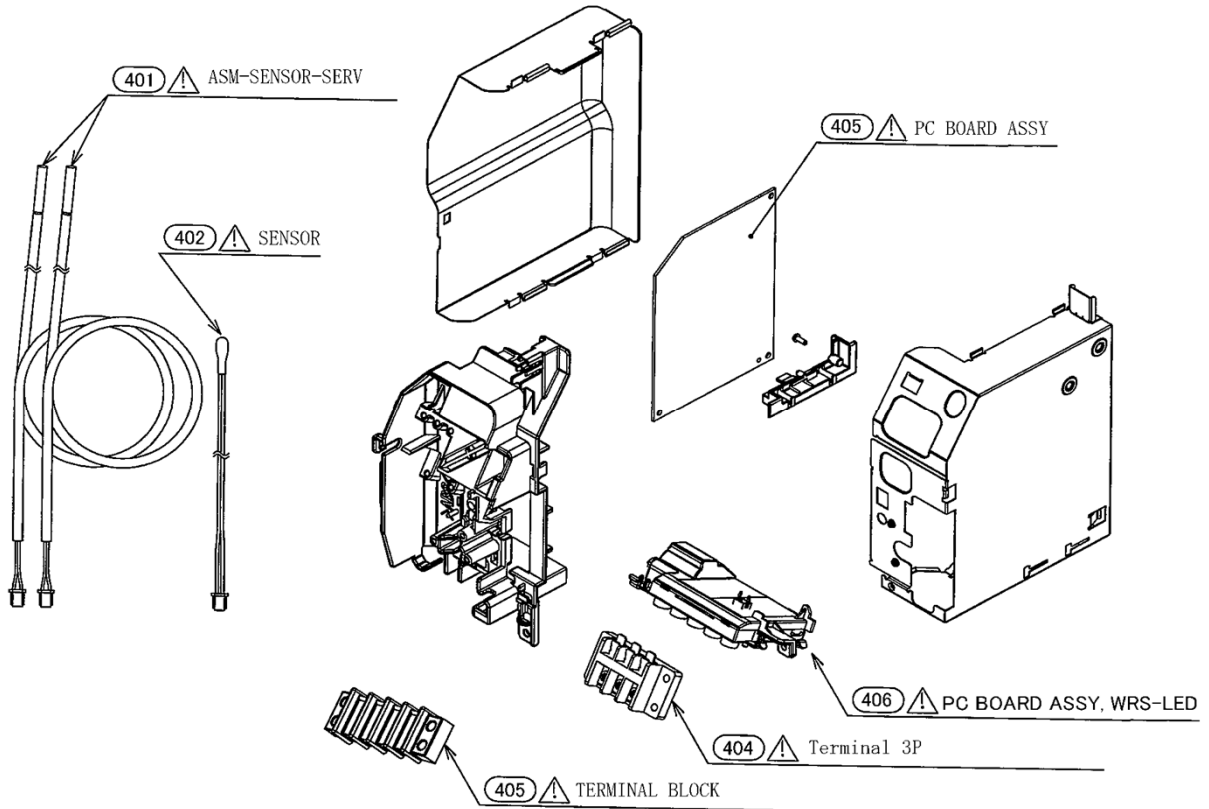


⚠ CAUTION

For orders of the service parts for High Wall type air conditioners, please check the service parts on Web site of [TOSHIBA CARRIER THAILAND CO., Ltd.], and then place an order for parts to (TOSHIBA CARRIER THAILAND CO., Ltd.).

Location No.	Part No.	Description	Location No.	Part No.	Description
201	43T21442	STEPPING-MOTOR	217	43T09409	HORIZONTAL LOUVER
202	43T21433	FAN-MOTOR	218	43T79313	CAP, DRAIN
203	43T22312	BEARING ASSY, MOLD	219	43T44409	REFRIGERANT CYCLE ASSEMBLY (SM307KRTP)
204	43T70316	HOSE, DRAIN	219	43T44535	REFRIGERANT CYCLE ASSEMBLY (SM407KRTP)
205	43T20325	CROSS FLOW FAN ASSEMBLY	221	43T00651	PANEL SERVICE ASSEMBLY
206	43T11301	PIPE-SHIELD (SM307KRTP)	222	43T80327	FILTER-AIR-R
206	43T11302	PIPE-SHIELD (SM407KRTP)	223	43T80328	FILTER-AIR-L
207	43T83003	HOLDER, REMOTE CONTROL	224	43T09498	GRILLE OF AIR INLET
208	43T60449	MOTOR CORD	226	43T62344	TERMINAL COVER ASSEMBLY
209	43T82310	INSTALLATION PLATE	227	43T66343	WIRELESS REMOTE CONTROLLER
211	43T19333	HOLDER, SENSOR	228	43T85575	COPY-MANUAL (SM307,407KRTP-E)
212	43T09408	PIPE HOLDER	228	43T85576	COPY-MANUAL (SM307,407KRTP-TR)
213	43T03365	BACK BODY ASSEMBLY	228	43T85577	COPY-MANUAL (SM307,407KRTP-A)
214	43T39344	BEARING BASE			
215	43T39343	MOTOR BAND (LEFT)			
216	43T39329	MOTOR BAND (RIGHT)			

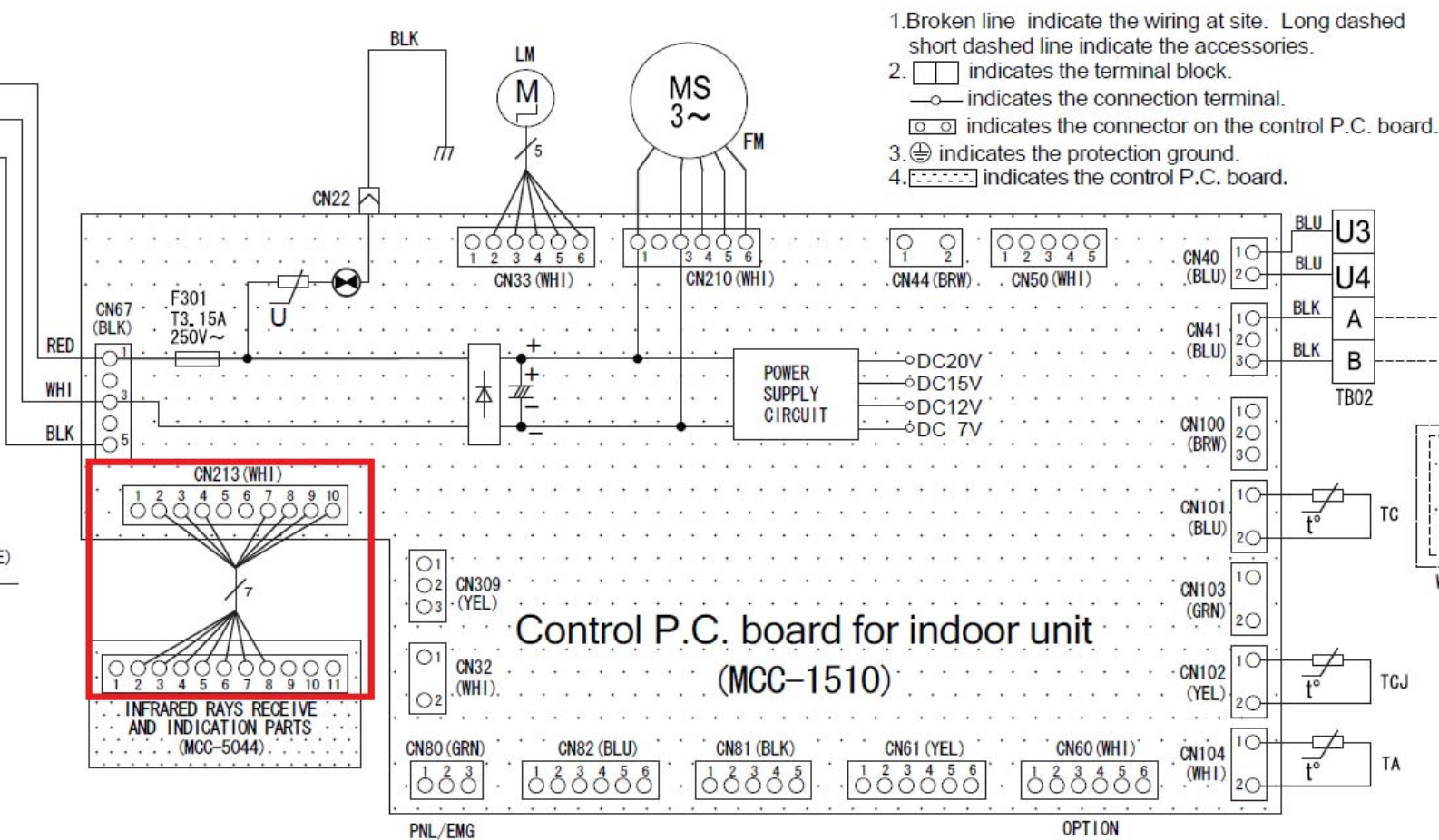
Electric Parts



CAUTION

For orders of the service parts for High Wall type air conditioners, please check the service parts on Web site of [TOSHIBA CARRIER THAILAND CO., Ltd.], and then place an order for parts to (TOSHIBA CARRIER THAILAND CO., Ltd.).

Location No.	Part No.	Description	Location No.	Part No.	Description
401	43T50304	SENSOR;HEAT EXCHANGER	404	43T60079	TERMINAL BLOCK
402	43T69320	TEMPERATURE SENSOR	405	43T69979	PC BOARD ASSY
403	43T60047	TERMINAL	406	43T69084	PC BOARD ASSY, WRS-LED



**Connection cable
pc-board --> IR-receiver:**

Art.No. 1111071201SS