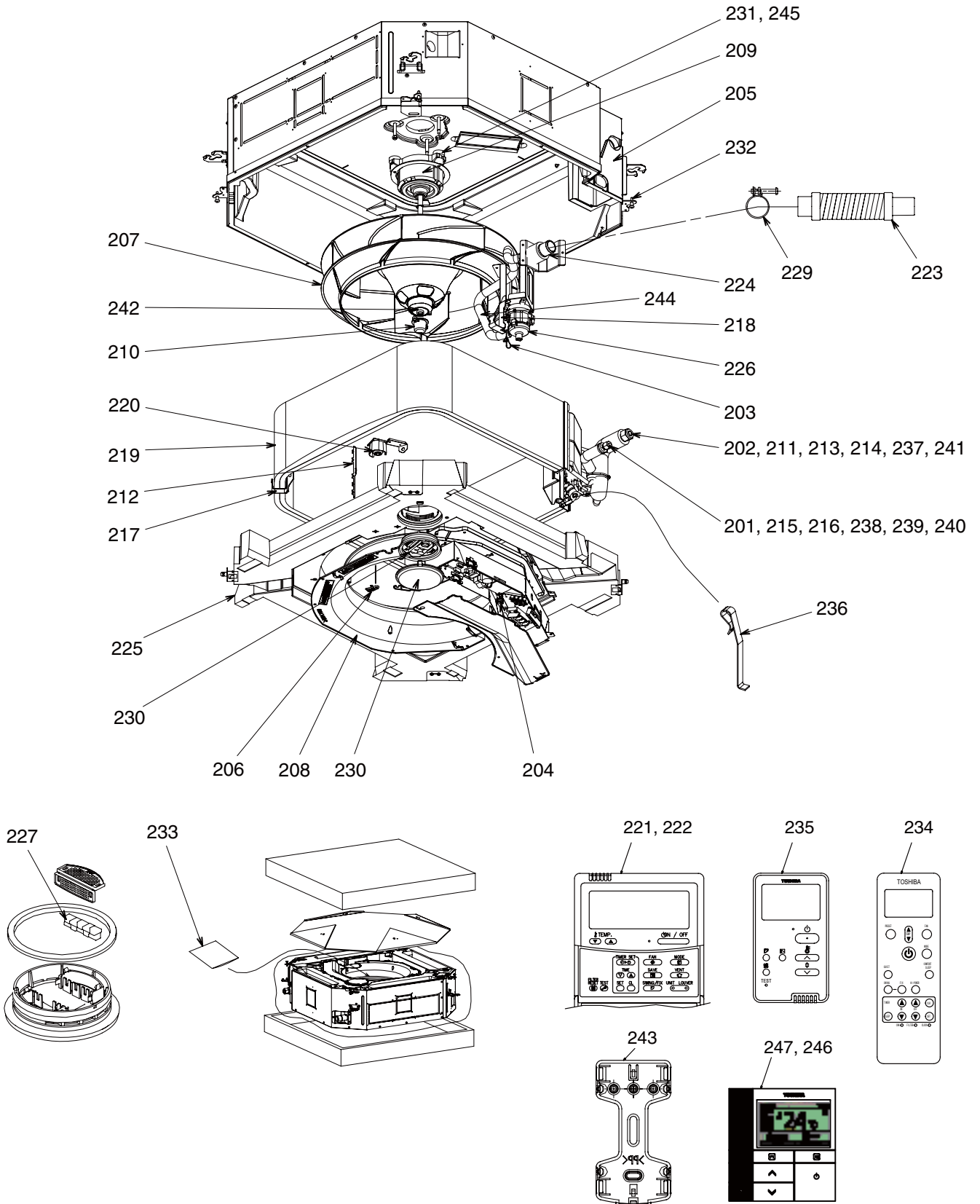


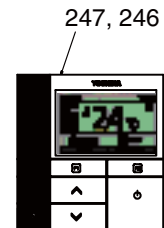
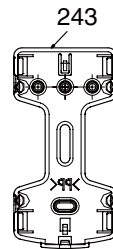
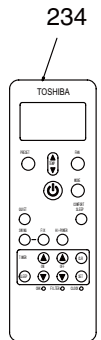
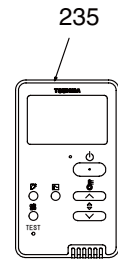
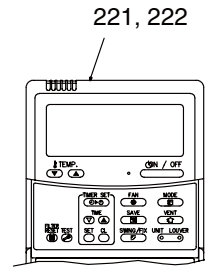
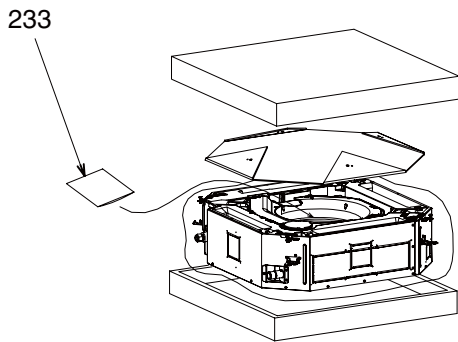
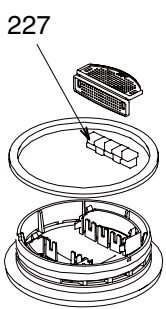
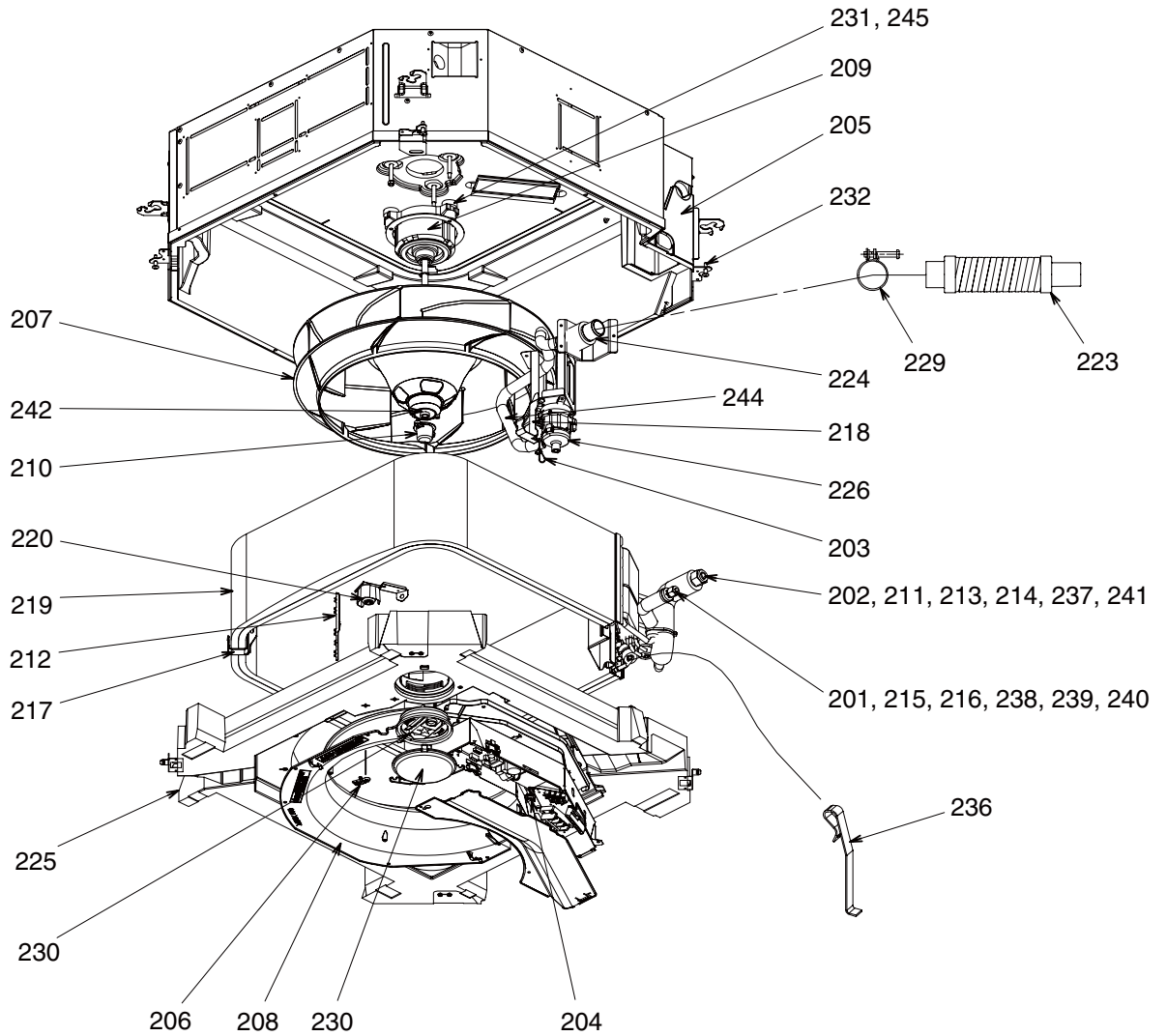
12. EXPLODED VIEWS AND PARTS LIST

12-1. RAV-GM561UT-E, GM801UT-E, GM1101UT-E, GM1401UT-E



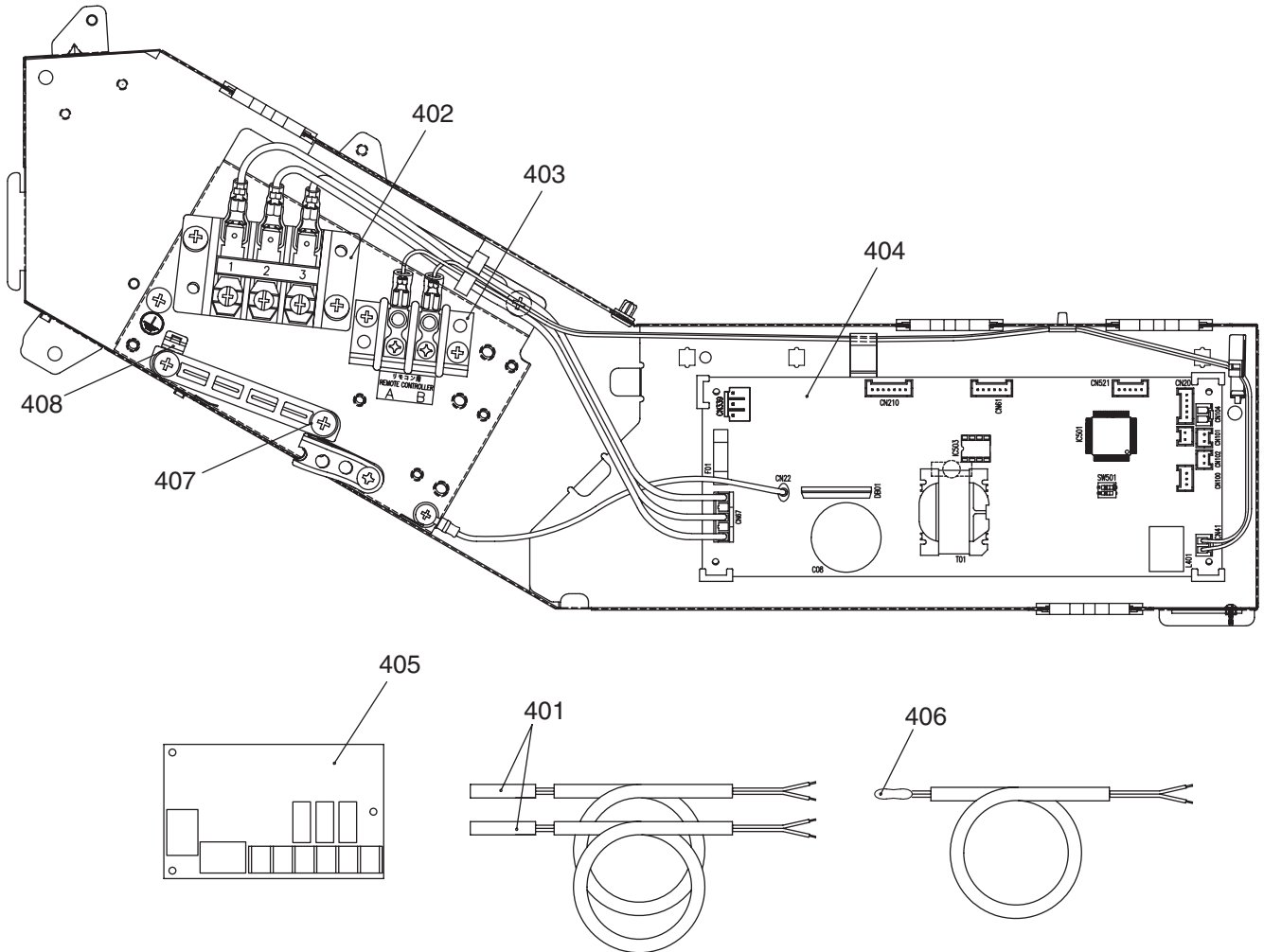
| Location No. | Part No. | Description | Q'ty/Set | | RAV-GM | |
|--------------|----------|---------------------------------------|----------|---------|----------|----------|
| | | | 561UT-E | 801UT-E | 1101UT-E | 1401UT-E |
| 201 | 43149498 | SOCKET | | 1 | 1 | 1 |
| 202 | 43149501 | NUT,FLARE,1/2,IN | 1 | | | |
| 203 | 43079249 | BAND, HOSE | 1 | 1 | 1 | 1 |
| 204 | 43089147 | CLAMP, WIRE | 4 | 4 | 4 | 4 |
| 205 | 43119497 | COVER ASSY | 1 | | | |
| 205 | 43119500 | COVER ASSY | | 1 | 1 | 1 |
| 206 | 43119498 | COVER, SENSOR | 1 | 1 | 1 | 1 |
| 207 | 43120248 | FAN, ASSY TURB | 1 | | | |
| 207 | 43120286 | FAN,ASSY,TURB | | 1 | 1 | 1 |
| 208 | 43122110 | BELL MOUTH | 1 | 1 | 1 | 1 |
| 209 | 4312C131 | MOTOR,FAN, ICF-340D60-1 | 1 | | | |
| 209 | 4312C167 | MOTOR,ASSY,FAN | | 1 | 1 | 1 |
| 210 | 43139166 | CAP, NUT | 1 | 1 | 1 | 1 |
| 211 | 43047692 | BONNET | 1 | | | |
| 212 | 43122152 | PLATE,WIND | | 4 | 4 | 4 |
| 213 | 43149494 | SOCKET,1/2,IN | 1 | | | |
| 214 | 43149496 | SOCKET, 5/8,IN | | 1 | 1 | 1 |
| 215 | 43149497 | SOCKET,1/4,IN | 1 | | | |
| 216 | 43149500 | NUT,FLARE,3/8,IN | | 1 | 1 | 1 |
| 217 | 43149423 | FIX,BAND,EVAPORATOR | 2 | | | |
| 217 | 43149424 | FIX,BAND,EVAPORATOR | | 2 | 2 | 2 |
| 218 | 43149425 | FIX,BAND,EVAPORATOR | 1 | 1 | 1 | 1 |
| 219 | 4314J570 | REFRIGERATION CYCLE ASSY | 1 | | | |
| 219 | 4314J571 | REFRIGERATION CYCLE ASSY | | | 1 | 1 |
| 219 | 4314J572 | REFRIGERATION CYCLE ASSY | | 1 | | |
| 220 | 43151299 | SWITCH ASSY, FLOAT, FS-0218-102 | 1 | 1 | 1 | 1 |
| 221 | 43166011 | REMOTE CONTROLLER, SX-A4EE | 1 | | | |
| 222 | 43166012 | REMOTE CONTROLLER, SX-A5EE | 1 | 1 | 1 | 1 |
| 223 | 43170244 | HOSE, DRAIN | 1 | 1 | 1 | 1 |
| 224 | 43170254 | SOCKET, ASSY DRAIN | 1 | 1 | 1 | 1 |
| 225 | 43172251 | PAN,DRAIN | 1 | | | |
| 225 | 43172266 | PAN,DRAIN | | 1 | 1 | 1 |
| 226 | 43177024 | PUMP,DRAIN, PMD-08D12TF-2 | 1 | 1 | 1 | 1 |
| 227 | 43179152 | GLASS,ASSY | 1 | 1 | 1 | 1 |
| 228 | 43179154 | LID ASSY, INSIDE | 1 | 1 | 1 | 1 |
| 229 | 43179163 | BAND, HOSE | 1 | 1 | 1 | 1 |
| 230 | 43179164 | LID,ASSY,OUTSIDE | 1 | 1 | 1 | 1 |
| 231 | 43197199 | WASHER | 1 | 1 | 1 | 1 |
| 232 | 43197206 | SCREW,FIX,PANEL | 4 | 4 | 4 | 4 |
| 233 | 431S8340 | OWNERS,MANUAL | 1 | 1 | 1 | 1 |
| 234 | 43166018 | REMOTE CONTROLLER, WIRELESS, WH-L11SE | 1 | 1 | 1 | 1 |
| 235 | 43166022 | REMOTE CONTROLLER, SX-U01EE | 1 | 1 | 1 | 1 |
| 236 | 43F19904 | HOLDER, SENSOR (TS) | 2 | 2 | 2 | 2 |
| 237 | 43149495 | NUT,FLARE,5/8,IN | | 1 | 1 | 1 |
| 238 | 43149499 | NUT,FLARE,1/4,IN | 1 | | | |
| 239 | 43F47609 | BONNET, 3/8,IN | | 1 | 1 | 1 |
| 240 | 43F49697 | BONNET, 1/4,IN | 1 | | | |
| 241 | 43194029 | BONNET, 5/8 IN | | 1 | 1 | 1 |
| 242 | 43F97212 | NUT | 1 | 1 | 1 | 1 |
| 243 | 43F83071 | HOLDER, REMOTE, CONTROLLER | 1 | 1 | 1 | 1 |
| 244 | 43170281 | HOSE,ASSY,DRAIN | 1 | | | |
| 244 | 43170282 | HOSE,ASSY,DRAIN | | 1 | 1 | 1 |
| 245 | 43139186 | RUBBER,CUSHION | | 3 | 3 | 3 |
| 246 | 43166036 | REMOTE CONTROLLER, SX-P01BE | 1 | 1 | 1 | 1 |
| 247 | 43166037 | REMOTE CONTROLLER, SX-P02BE | 1 | 1 | 1 | 1 |

12-2. RAV-GM561UT-TR, GM801UT-TR, GM1101UT-TR, GM1401UT-TR



| Location No. | Part No. | Description | Q'ty/Set | | RAV-GM | |
|--------------|----------|---------------------------------------|----------|----------|-----------|-----------|
| | | | 561UT-TR | 801UT-TR | 1101UT-TR | 1401UT-TR |
| 201 | 43149498 | SOCKET | | 1 | 1 | 1 |
| 202 | 43149501 | NUT,FLARE,1/2,IN | 1 | | | |
| 203 | 43079249 | BAND, HOSE | 1 | 1 | 1 | 1 |
| 204 | 43089147 | CLAMP, WIRE | 4 | 4 | 4 | 4 |
| 205 | 43119497 | COVER ASSY | 1 | | | |
| 205 | 43119500 | COVER ASSY | | 1 | 1 | 1 |
| 206 | 43119498 | COVER, SENSOR | 1 | 1 | 1 | 1 |
| 207 | 43120248 | FAN, ASSY TURB | 1 | | | |
| 207 | 43120286 | FAN,ASSY,TURB | | 1 | 1 | 1 |
| 208 | 43122110 | BELL MOUTH | 1 | 1 | 1 | 1 |
| 209 | 4312C131 | MOTOR,FAN, ICF-340D60-1 | 1 | | | |
| 209 | 4312C167 | MOTOR,ASSY,FAN | | 1 | 1 | 1 |
| 210 | 43139166 | CAP, NUT | 1 | 1 | 1 | 1 |
| 211 | 43047692 | BONNET | 1 | | | |
| 212 | 43122152 | PLATE,WIND | | 4 | 4 | 4 |
| 213 | 43149494 | SOCKET,1/2,IN | 1 | | | |
| 214 | 43149496 | SOCKET, 5/8,IN | | 1 | 1 | 1 |
| 215 | 43149497 | SOCKET,1/4,IN | 1 | | | |
| 216 | 43149500 | NUT,FLARE,3/8,IN | | 1 | 1 | 1 |
| 217 | 43149423 | FIX,BAND,EVAPORATOR | 2 | | | |
| 217 | 43149424 | FIX,BAND,EVAPORATOR | | 2 | 2 | 2 |
| 218 | 43149425 | FIX,BAND,EVAPORATOR | 1 | 1 | 1 | 1 |
| 219 | 4314J570 | REFRIGERATION CYCLE ASSY | 1 | | | |
| 219 | 4314J571 | REFRIGERATION CYCLE ASSY | | | 1 | 1 |
| 219 | 4314J572 | REFRIGERATION CYCLE ASSY | | 1 | | |
| 220 | 43151299 | SWITCH ASSY, FLOAT, FS-0218-102 | 1 | 1 | 1 | 1 |
| 221 | 43166011 | REMOTE CONTROLLER, SX-A4EE | 1 | | | |
| 222 | 43166012 | REMOTE CONTROLLER, SX-A5EE | 1 | 1 | 1 | 1 |
| 223 | 43170244 | HOSE, DRAIN | 1 | 1 | 1 | 1 |
| 224 | 43170254 | SOCKET, ASSY DRAIN | 1 | 1 | 1 | 1 |
| 225 | 43172251 | PAN,DRAIN | 1 | | | |
| 225 | 43172266 | PAN,DRAIN | | 1 | 1 | 1 |
| 226 | 43177024 | PUMP,DRAIN, PMD-08D12TF-2 | 1 | 1 | 1 | 1 |
| 227 | 43179152 | GLASS,ASSY | 1 | 1 | 1 | 1 |
| 228 | 43179154 | LID ASSY, INSIDE | 1 | 1 | 1 | 1 |
| 229 | 43179163 | BAND, HOSE | 1 | 1 | 1 | 1 |
| 230 | 43179164 | LID,ASSY,OUTSIDE | 1 | 1 | 1 | 1 |
| 231 | 43197199 | WASHER | 1 | 1 | 1 | 1 |
| 232 | 43197206 | SCREW,FIX,PANEL | 4 | 4 | 4 | 4 |
| 233 | 431S8343 | OWNERS,MANUAL | 1 | 1 | 1 | 1 |
| 234 | 43166018 | REMOTE CONTROLLER, WIRELESS, WH-L11SE | 1 | 1 | 1 | 1 |
| 235 | 43166022 | REMOTE CONTROLLER, SX-U01EE | 1 | 1 | 1 | 1 |
| 236 | 43F19904 | HOLDER, SENSOR (TS) | 2 | 2 | 2 | 2 |
| 237 | 43149495 | NUT,FLARE,5/8,IN | | 1 | 1 | 1 |
| 238 | 43149499 | NUT,FLARE,1/4,IN | 1 | | | |
| 239 | 43F47609 | BONNET, 3/8,IN | | 1 | 1 | 1 |
| 240 | 43F49697 | BONNET, 1/4,IN | 1 | | | |
| 241 | 43194029 | BONNET, 5/8 IN | | 1 | 1 | 1 |
| 242 | 43F97212 | NUT | 1 | 1 | 1 | 1 |
| 243 | 43F83071 | HOLDER, REMOTE, CONTROLLER | 1 | 1 | 1 | 1 |
| 244 | 43170281 | HOSE,ASSY,DRAIN | 1 | | | |
| 244 | 43170282 | HOSE,ASSY,DRAIN | | 1 | 1 | 1 |
| 245 | 43139186 | RUBBER,CUSHION | | 3 | 3 | 3 |
| 246 | 43166036 | REMOTE CONTROLLER, SX-P01BE | 1 | 1 | 1 | 1 |
| 247 | 43166037 | REMOTE CONTROLLER, SX-P02BE | 1 | 1 | 1 | 1 |

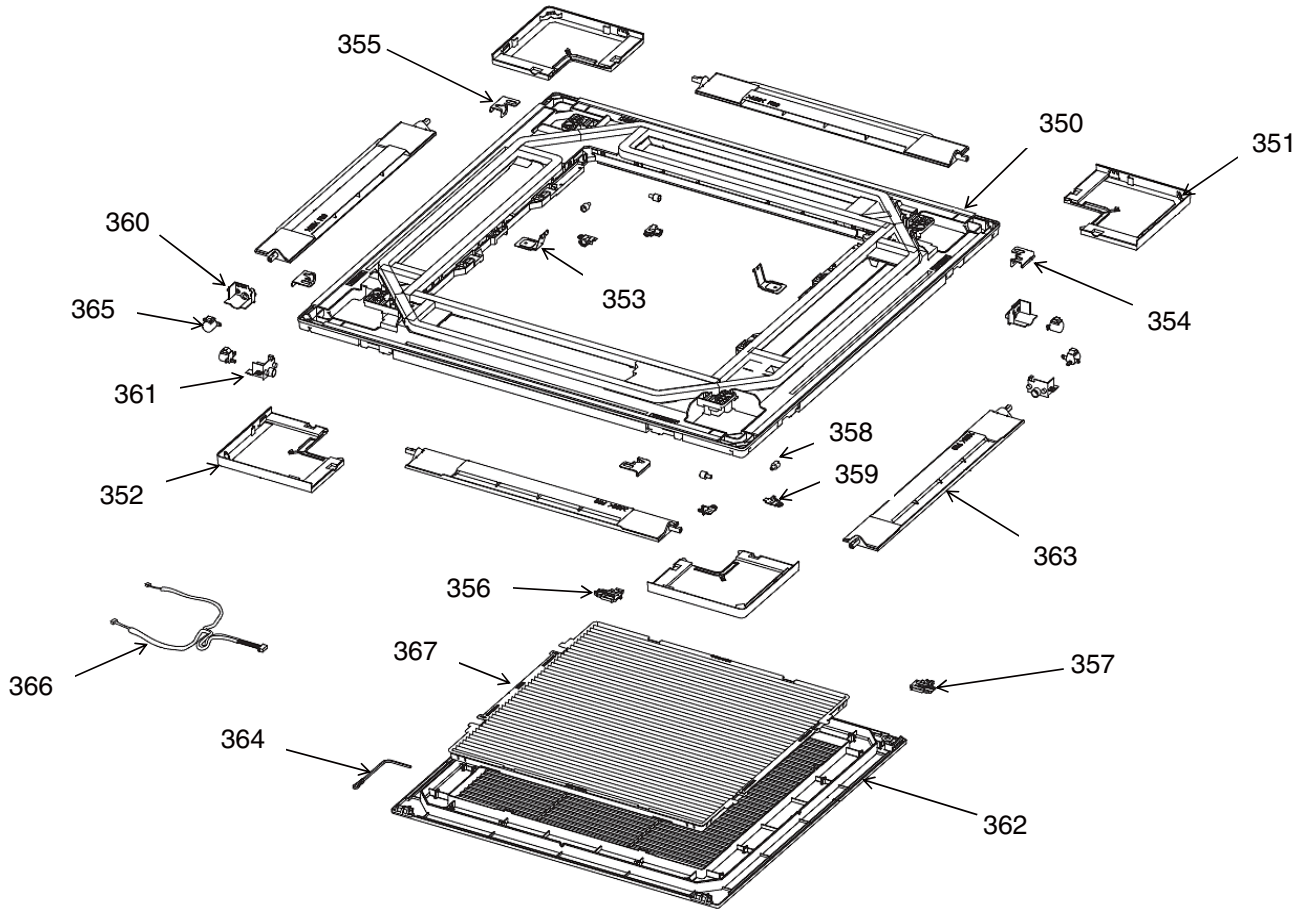
E-Parts



| Location No. | Part No. | Description | Q'ty/Set RAV-GM | | | |
|--------------|----------|-------------------------------|---------------------|---------------------|-----------------------|-----------------------|
| | | | 561UT-E 561UT-TR | 801UT-E 801UT-TR | 1101UT-E 1101UT-TR | 1401UT-E 1401UT-TR |
| 401 | 43050425 | SENSOR ASSY, SERVICE, TC (F6) | 2 | 2 | 2 | 2 |
| 402 | 43160565 | TERMINAL BLOCK, 3P, 20A | 1 | 1 | 1 | 1 |
| 403 | 43160568 | TERMINAL, 2P | 1 | 1 | 1 | 1 |
| 404 | 4316V656 | PC BOARD ASSY, MCC-1643 | 1 | 1 | 1 | 1 |
| 405 | 43459017 | PC BOARD ASSY, TCB-PCUC1E | 1 | 1 | 1 | 1 |
| 406 | 43F50426 | SENSOR, SERVICE, TA | 1 | 1 | 1 | 1 |
| 407 | 43163057 | CLAMP, DOWN | 1 | 1 | 1 | 1 |
| 408 | 43163058 | CLAMP, UP | 1 | 1 | 1 | 1 |

◆ Ceiling panel

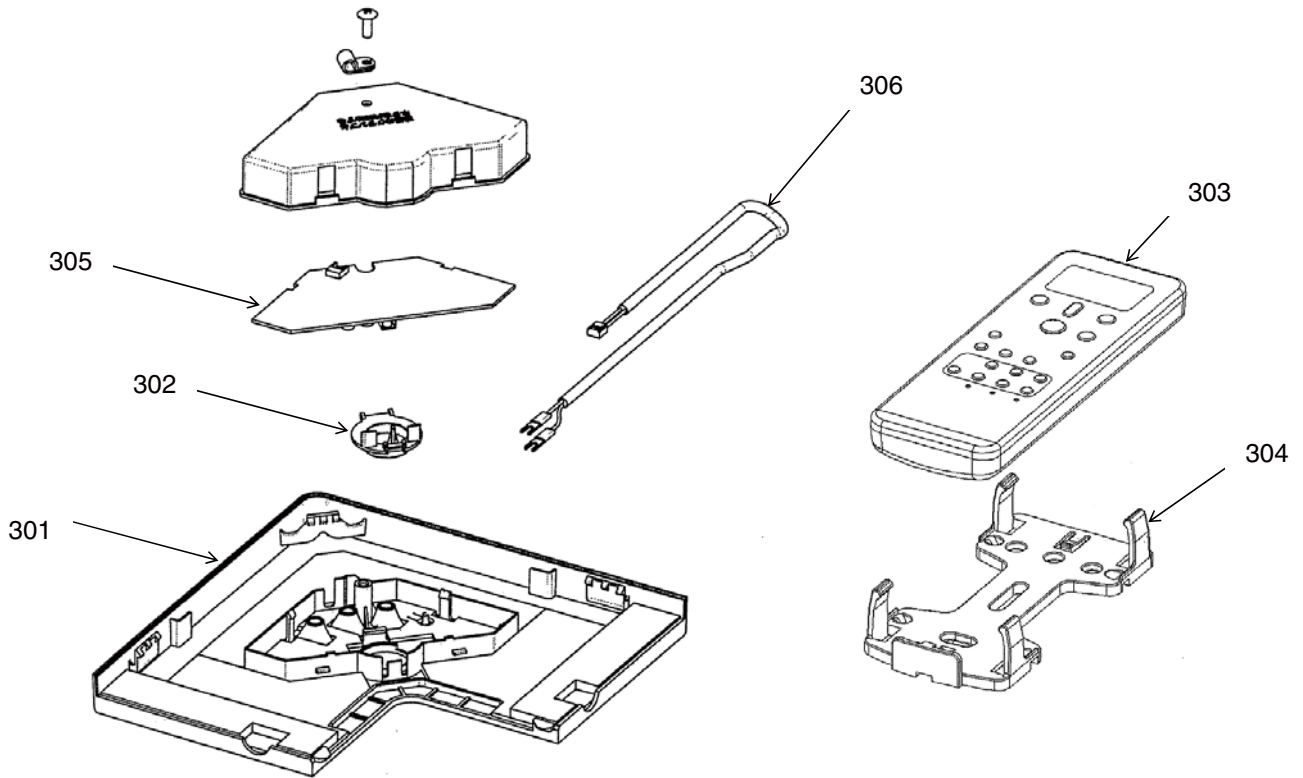
RBC-U41PG(W)-E



| Location No. | Part No. | Description | Q'ty/Set RBC-U41PG(W)-E |
|--------------|----------|-----------------------|----------------------------|
| 350 | 43400085 | PANEL, INSULATOR ASSY | 1 |
| 351 | 43401049 | PANEL, COVER ASSY | 3 |
| 352 | 43401054 | PANEL, COVER ASSY | 1 |
| 353 | 43407167 | FIX,HANGER | 2 |
| 354 | 43407168 | PLATE, FIX PANEL | 2 |
| 355 | 43407169 | PLATE, FIX PANEL | 2 |
| 356 | 43407170 | HOOK | 1 |
| 357 | 43407174 | HOOK | 1 |
| 358 | 43407178 | CAP, AXIS | 4 |
| 359 | 43407179 | COVER, AXIS | 4 |
| 360 | 43407180 | FIX, MOTOR | 2 |
| 361 | 43407181 | FIX, MOTOR | 2 |
| 362 | 43409224 | GRILLE, AIR INLET | 1 |
| 363 | 43409232 | LOUVER ASSY | 4 |
| 364 | 43419022 | STRING | 1 |
| 365 | 43421006 | MOTOR, LOUVER | 4 |
| 366 | 43460130 | LEAD, MOTOR | 1 |
| 367 | 43480017 | AIR FILTER | 1 |

◆ Wireless remote controller kit

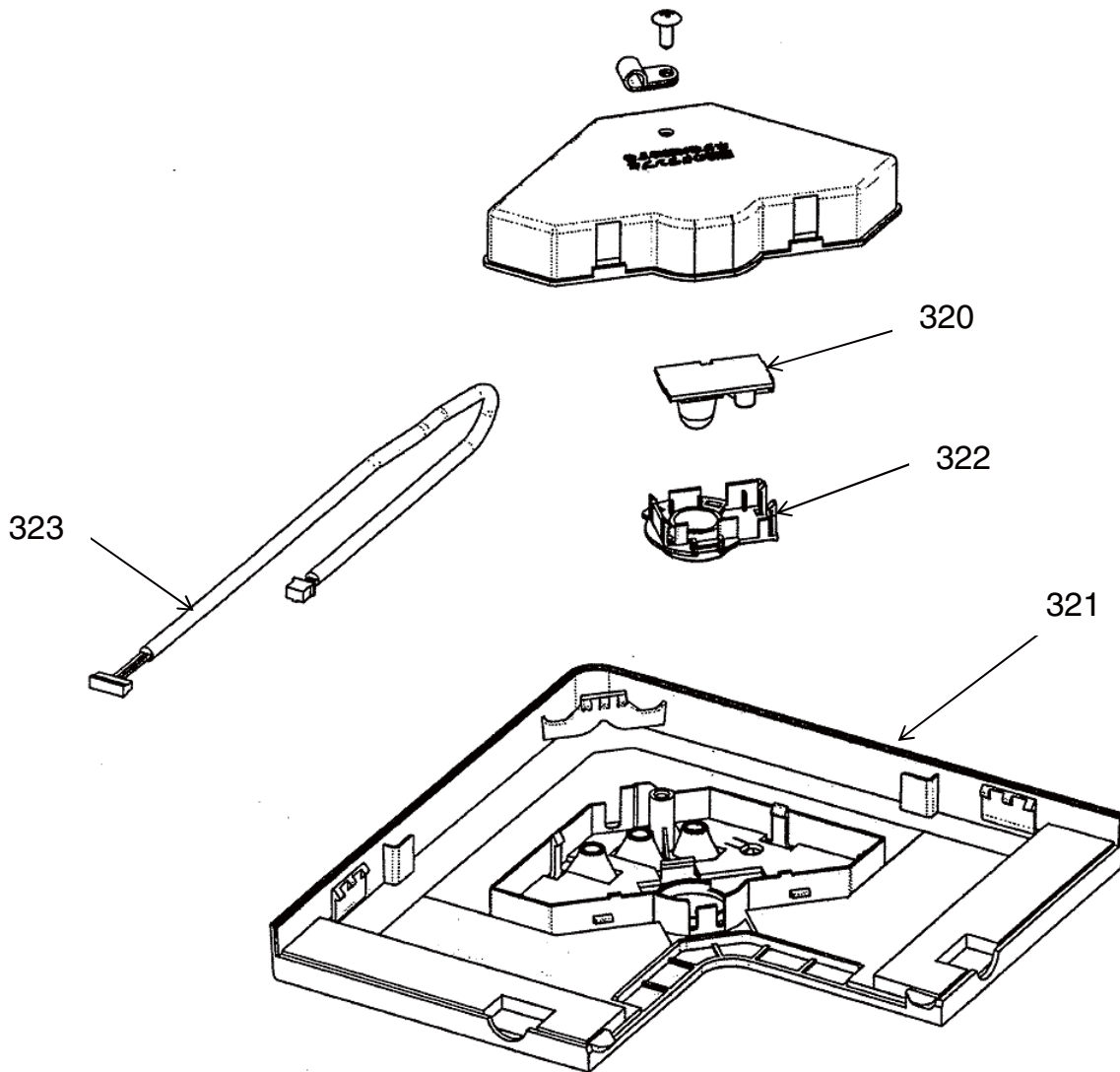
RBC-AX41U(W)-E



| Location No. | Part No. | Description | Q'ty/Set RBC-AX41U(W)-E |
|--------------|----------|---------------------------------------|----------------------------|
| 301 | 43108039 | COVER, INSULATOR ASSY | 1 |
| 302 | 43408061 | COVER, WIRELESS | 1 |
| 303 | 43166018 | REMOTE CONTROLLER, WIRELESS, WH-L11SE | 1 |
| 304 | 43F83071 | HOLDER, REMOTE, CONTROLLER | 1 |
| 305 | 43459018 | PC BOARD ASSY | 1 |
| 306 | 43460132 | LEAD ASSY | 1 |

◆ Occupancy sensor

TCB-SIR41U-E



| Location No. | Part No. | Description | Q'ty/Set TCB-SIR41U-E |
|--------------|----------|----------------------|--------------------------|
| 320 | 43469067 | THERMOSTAT | 1 |
| 321 | 43408060 | COVER,INSULATOR ASSY | 1 |
| 322 | 43408062 | COVER, SENSOR | 1 |
| 323 | 43460131 | LEAD,SENSOR | 1 |

TOSHIBA CARRIER CORPORATION

72-34 Horikawa-cho, Saiwai-ku, Kawasaki-shi, Kanagawa 212-8585, JAPAN

Copyright © 2018 TOSHIBA CARRIER CORPORATION, ALL Rights Reserved.